

HU 1 S RF KNX

Item no.: 4941641

KNX

Heizungs- und Klimaregelung

Description

- Flush-mounted 1-way heating actuator, KNX RF, Data Secure
- 2 binary inputs for floating contacts such as buttons, switches, temperature sensor (I2)
- With integrated controller
- Silent control of 230 V AC thermal actuators
- Integrated heating/cooling temperature controller
- Valve protection function
- Secure communication via KNX-RF with support from KNX Data Secure
- Easy installation due to the compact housing
- 2 binary inputs for floating contacts such as buttons, switches, temperature sensor (I2)
- Integrated temperature monitoring for increased operating safety, e.g. in the event of overload
- The binary inputs are assigned to the output as standard (function test before programming)



Technical data

HU 1 S RF KNX	
Operating voltage KNX	Bus voltage, <4 mA
Operating voltage	230 V AC 50 – 60 Hz
Frequency	50 – 60 Hz
Stand-by consumption	<0.4 W
Installation type	Flush-mounted

HU 1 S RF KNX	
Number of channels	1
Type of contact	1 A
Type	Base module
Ambient temperature	-5°C ... 45°C

Subject to technical changes and misprints

additional information at: www.theben.de/product/4941641

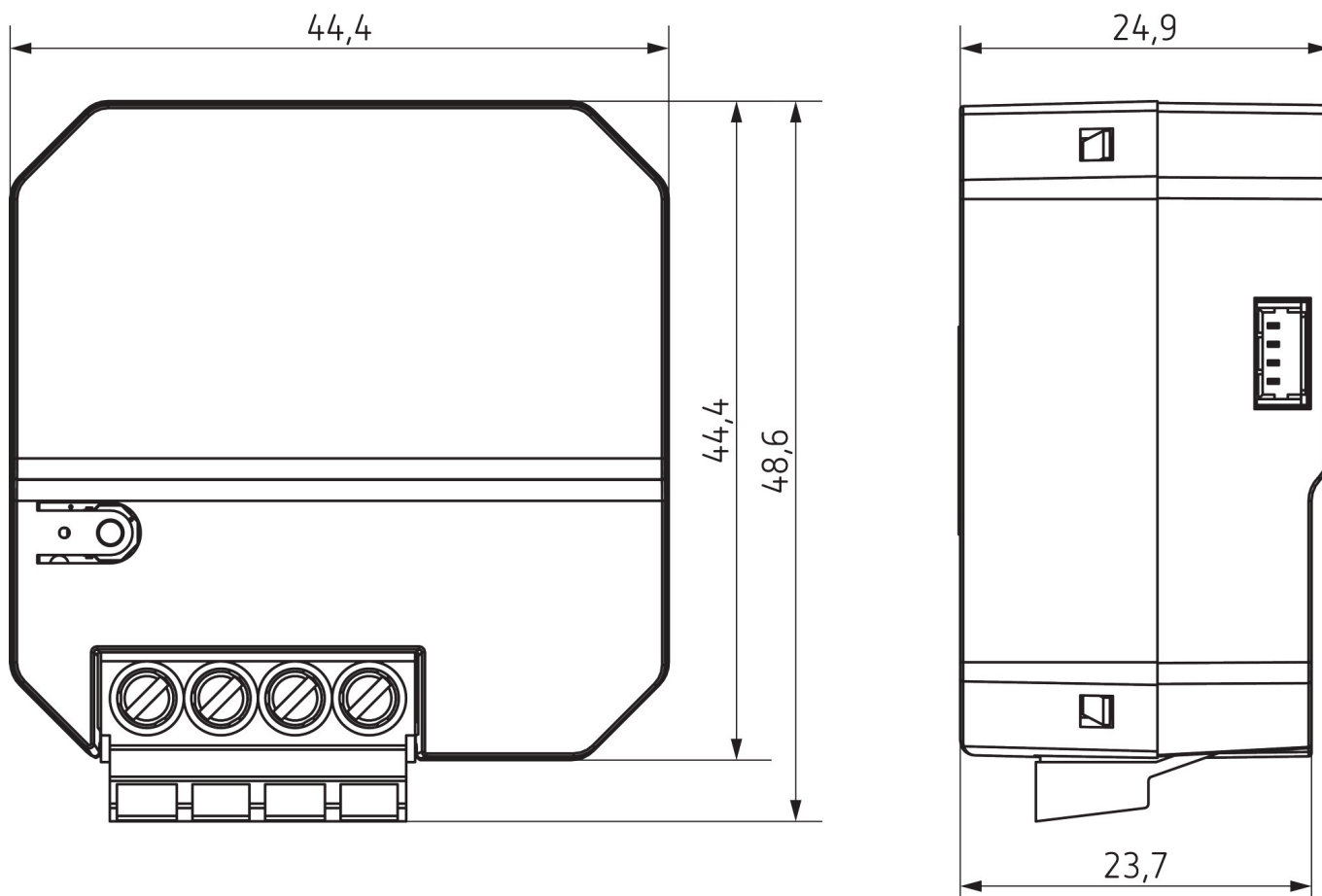
The load data are determined with exemplary selected illuminants and are therefore typical data due to the large number of available products.

HU 1 S RF KNX

Item no.: 4941641

theben

Scale drawings



Accessories

Temperature sensor
Item no.: 9070321



Temperature sensor RAMSES IP
65
Item no.: 9070459



Flush-mounted temperature
sensor
Item no.: 9070496



Subject to technical changes and misprints

additional information at: www.theben.de/product/4941641

The load data are determined with exemplary selected illuminants and are therefore typical data due to the large number of available products.