

DU 1 S RF KNX

Item no.: 4941671

KNX
UP-/UP-Funk-Aktoren

Description

- Flush-mounted 1-way dimming actuator 250 W, KNX RF, Data Secure
- 2 binary inputs for floating contacts such as buttons, switches, temperature sensor (I2)
- Optimised dimming output for dimmable energy-saving lamps, LEDs, incandescent and halogen lamps, and dimmable transformers.
- Easy to adapt to different lamps thanks to automatic load detection
- Adjustable dimming curve for precise and flicker-free dimming
- Secure communication via KNX-RF with support from KNX Data Secure
- Easy installation due to the compact housing
- 2 binary inputs for floating contacts such as buttons, switches, temperature sensor (I2)
- Integrated temperature monitoring for increased operating safety, e.g. in the event of overload
- The binary inputs are assigned to the output as standard (function test before programming)



Technical data

DU 1 S RF KNX	
Operating voltage	230 V AC 50 – 60 Hz
Frequency	50 – 60 Hz
Installation type	Flush-mounted
Type of connection	Screw terminals
Number of channels	1

DU 1 S RF KNX	
Incandescent/halogen lamp load	250 W
LED lamp (trailing edge)	250 W
Type	Base module
Protection class	II

Subject to technical changes and misprints

additional information at: www.theben.de/product/4941671

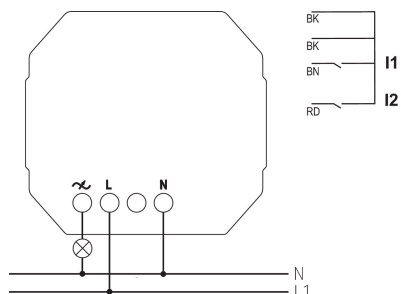
The load data are determined with exemplary selected illuminants and are therefore typical data due to the large number of available products.

DU 1 S RF KNX

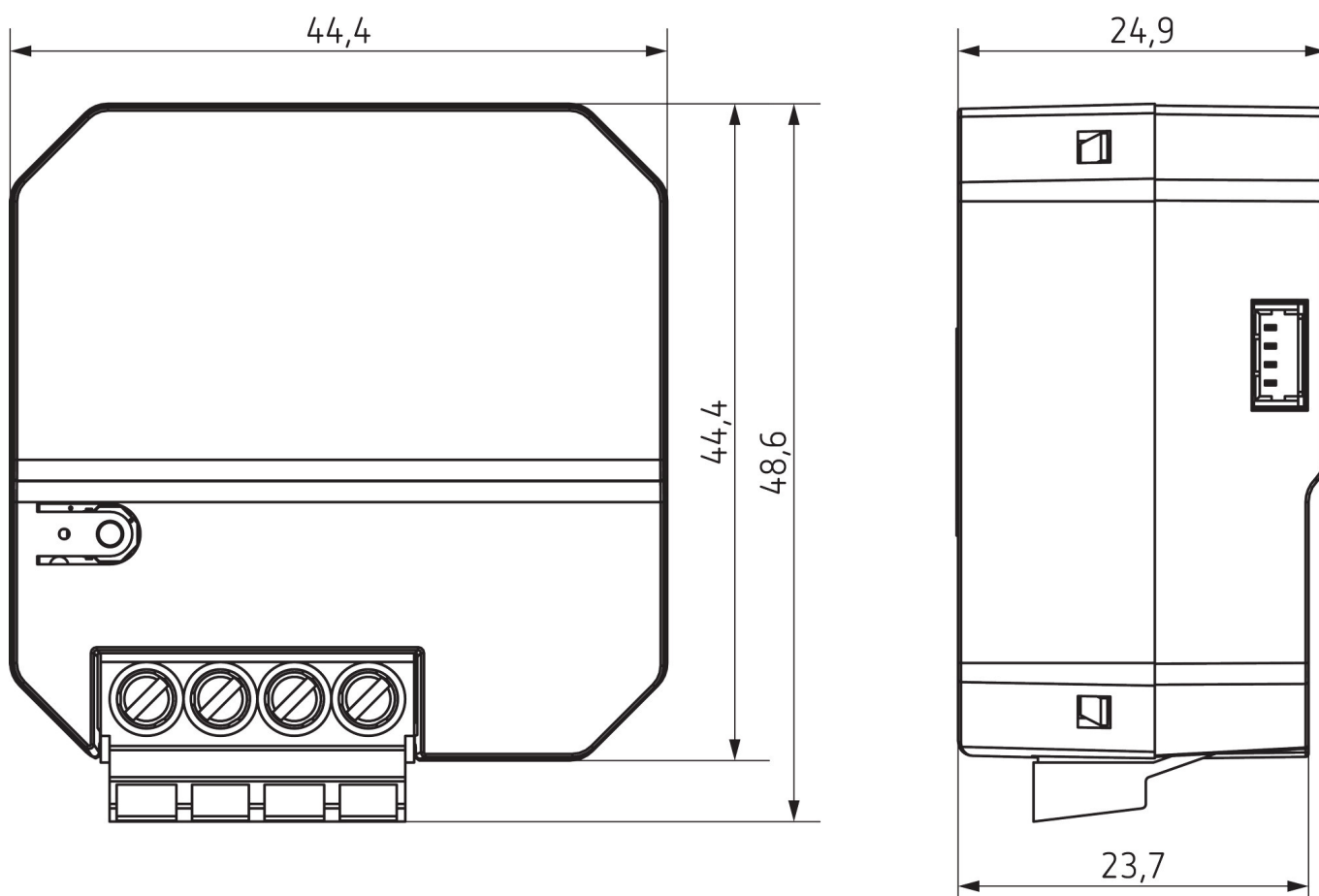
Item no.: 4941671



Connection example



Scale drawings



Subject to technical changes and misprints

additional information at: www.theben.de/product/4941671

The load data are determined with exemplary selected illuminants and are therefore typical data due to the large number of available products.

17/07/2022

Page 2 of 3

DU 1 S RF KNX

Item no.: 4941671

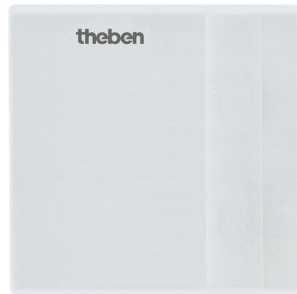


Accessories

Temperature sensor
Item no.: 9070321



Temperature sensor RAMSES IP
65
Item no.: 9070459



Flush-mounted temperature
sensor
Item no.: 9070496

