

LUNA 131 S KNX

Item no.: 1319201

theben
energy saving comfort

Home and Building control
KNX

Description

- Brightness and temperature sensor
- For brightness and temperature dependent controlling in outdoor areas
- 5 freely configurable channels: 1 sun protection channel and 4 universal channels
- Sun protection channel with automated sun protection especially for blind, awning and shutter applications
- Universal channels allow linking of brightness and temperature
- Brightness range from 1 - 100,000 lux
- Temperature range -20 °C to + 55 °C
- Learning object for brightness threshold



Technical data

LUNA 131 S KNX	
Operating voltage KNX	Bus voltage, ≤5 mA
Installation type	Wall installation
Type of connection	KNX bus terminal
Measuring range brightness	1 – 100000 lx

LUNA 131 S KNX	
Setting range temperature	-20°C ... 55°C
Ambient temperature	-25°C ... 55°C
Type of protection	IP 54

Subject to technical changes and misprints

additional information at: www.theben.de/product/1319201

The load data are determined with exemplary selected illuminants and are therefore typical data due to the large number of available products.

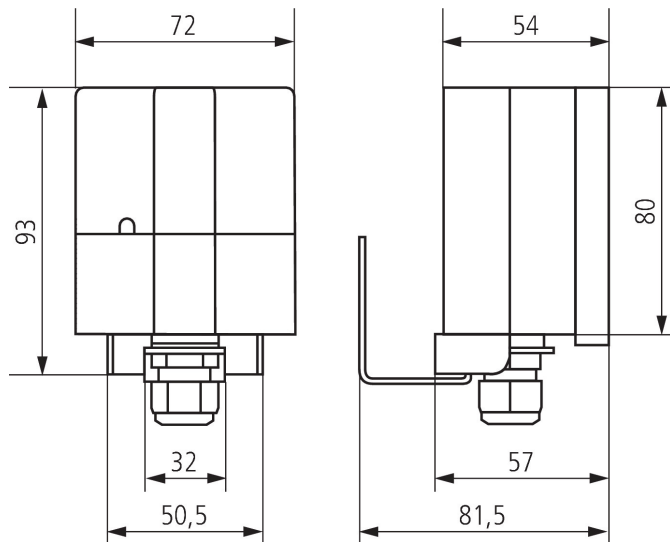
30/09/2020

Page 1 of 2

LUNA 131 S KNX

Item no.: 1319201

Scale drawings



Accessories

Mast mounting S
Item no.: 9070928

Mast mounting WML1
Item no.: 9070925

