

FEATURES

- Frames for Zennio ZS55 series of switches and sockets.
- Decorative frames with 1 to 4-gang (reference 980000Y0X, where Y = number of gangs, X = colour).
- Available colours:
 - Anthracite (X=5)
 - Silver (X=6)
 - White (X=7)
- Low profile: it protrudes 9.5 mm from the wall.
- Material: PC+ABS FR V0 halogen free.

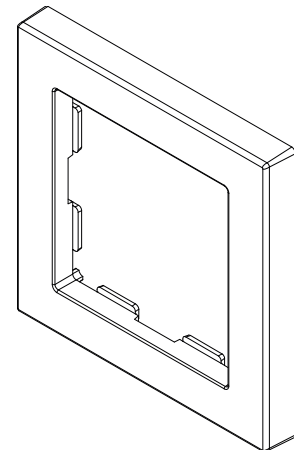


Figure 1. One-gang frame

DIMENSIONS (MM)

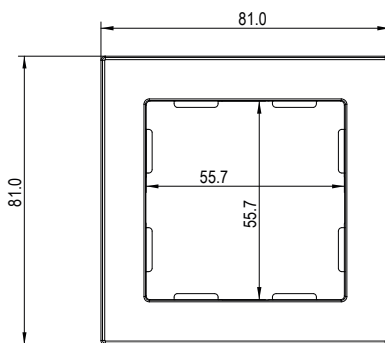


Figure 2. 9800010X

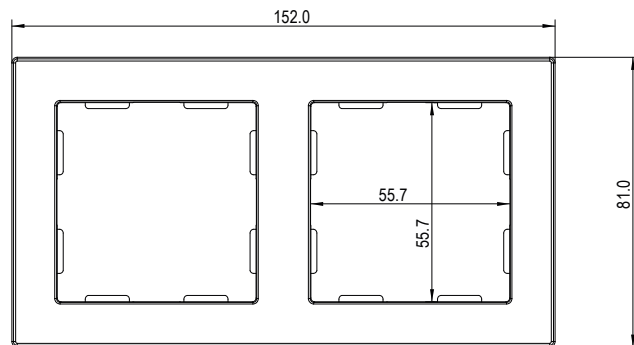


Figure 3. 9800020X

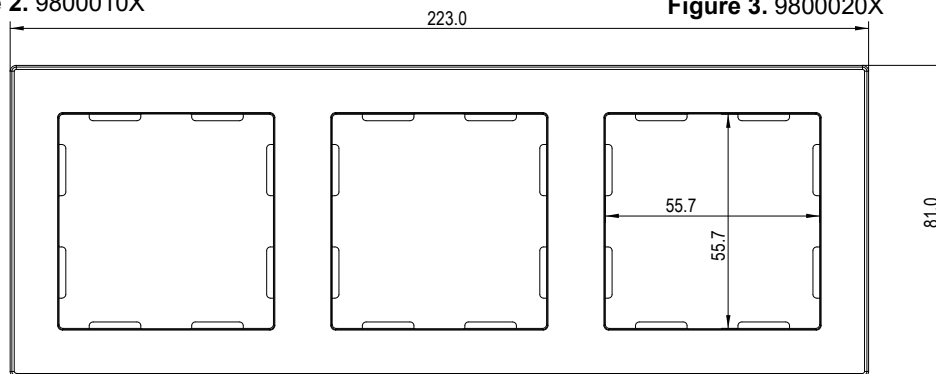


Figure 4. 9800030X

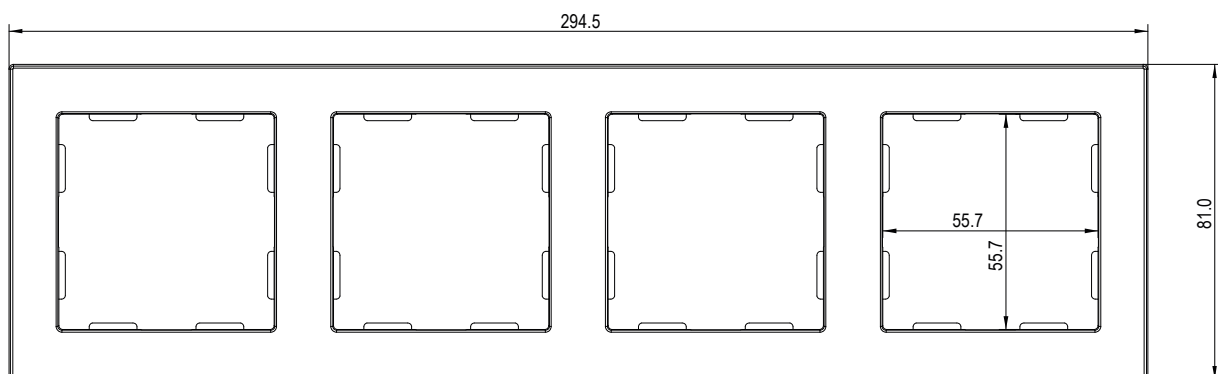
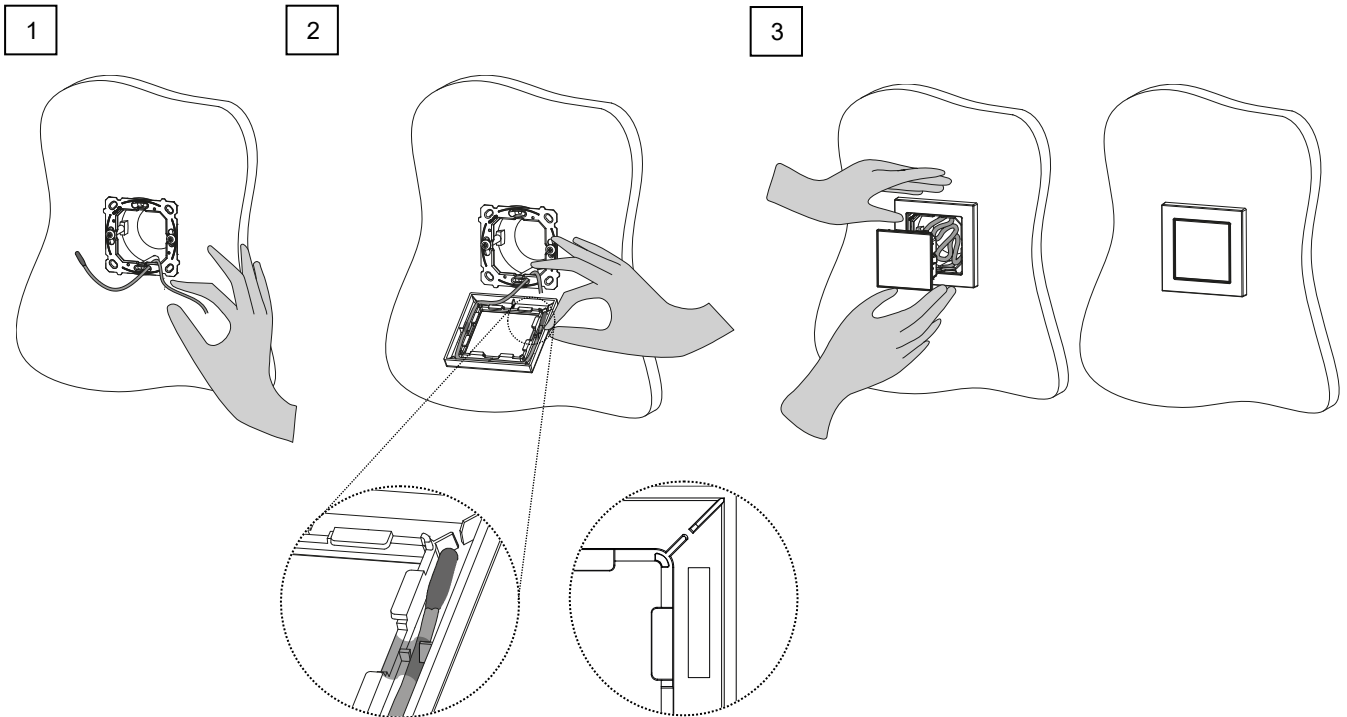


Figure 5. 9800040X

TEMPERATURE PROBE INSTALLATION INSTRUCTIONS

1. Guide the temperature probe cable through an available hole in the metal plate from the inside to the outside.
2. Tape the temperature probe in the grooved area of the frame and guide the excess cable into the grooves in the internal partitions. Ensure that the temperature probe is in one of the lower corners.
3. Place the frame on the metal plate, insert the excess cable into the back box, connect the terminal block to the device and install it in the frame.



SAFETY INSTRUCTIONS

- Installation should only be performed by qualified professionals according to the laws and regulations applicable in each country.