

FEATURES

- Schuko socket insert with USB type C (reference ZSISC1US)
- Available colours, please refer to: <https://www.zennio.com/finishes>
- Flush fitting with ZS55/ZS70 series 1 to 4-gang frames (sold separately, with references 980000y0x/ZS70FMyx, where y = number of gangs, x = colour)
- The use of fixing clamps is optional. This reference is sold separately (reference ZACZSCLA)
- Compatible with European plugs (type C and F)
- Childproof safety shutter
- Flush-mounted installation
- Low profile: it protrudes 9.5 mm from the wall
- Dimensions:
 - ZS55: 55.5 x 55.5 x 38.1 mm
 - ZS70: 70.7 x 70.7 x 38.1 mm

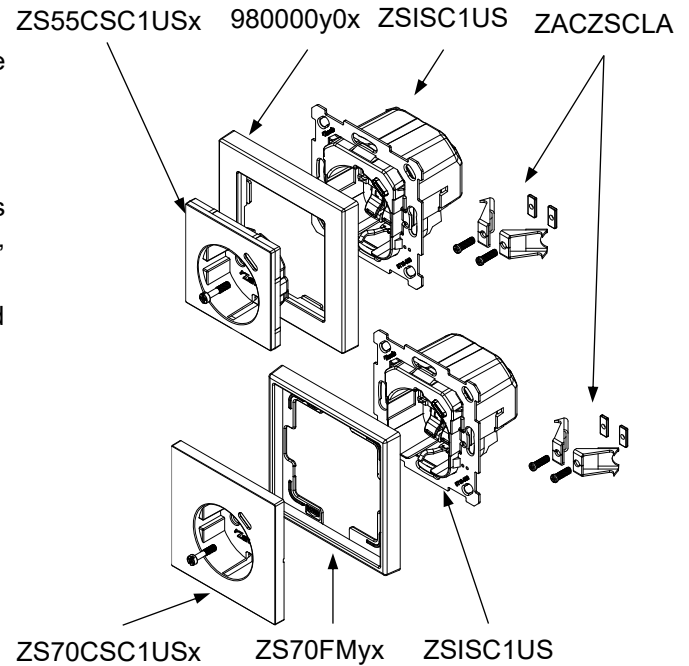


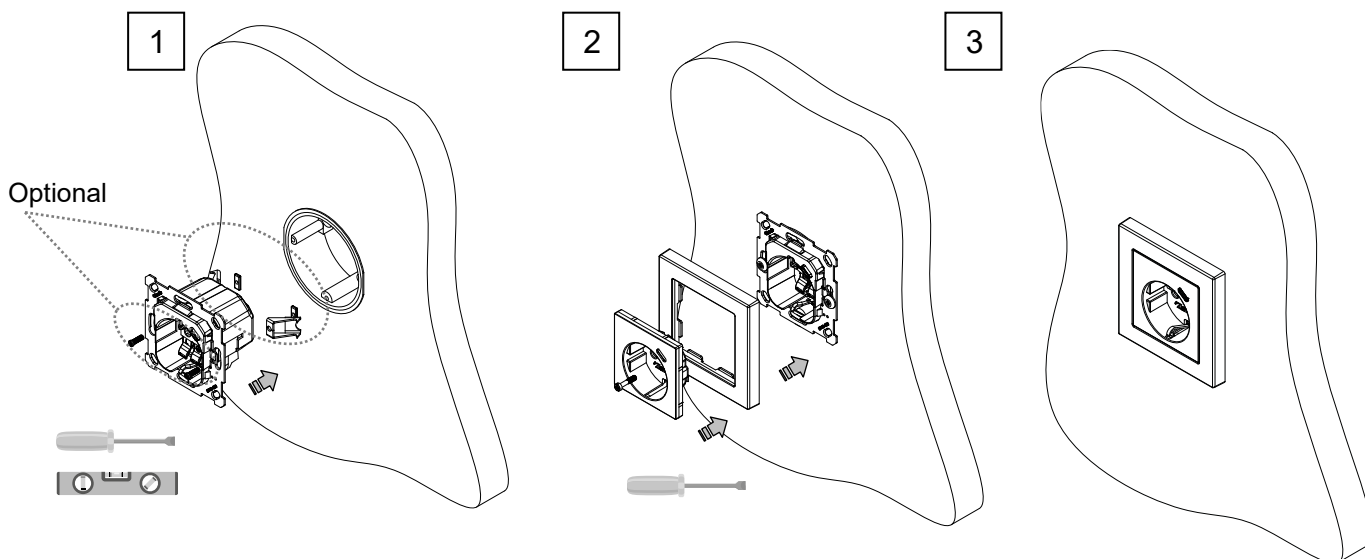
Figure 1. Schuko socket insert with USB C

GENERAL SPECIFICATIONS		
CONCEPT		DESCRIPTION
Socket	Rated voltage	250 VAC
	Rated current	16 A
	Socket type	Schuko
USB	Input voltage	250 VAC 50 Hz
	Power supply protection fuse	2 A @ 250 VAC (F type)
	Maximum consumption	125 mA
	Connector type	USB type C
	Maximum USB cable length	3 m
	Fast charging	YES
	Maximum output current	2.4 A - 5 V (12 W) / 1.67 A - 9 V (15 W)
	Average active efficiency	87%
Efficiency at low load (10%)	85%	
No-load power consumption	0,2 W	
Connection method		Screwless terminal block
Maximum cable cross-section		3x 2.5 mm ² (IEC) / 12 AWG (UL)
Supported cable type		Rigid or flexible
Stripping length		12 mm
Operation temperature		0 .. +40 °C
Storage temperature		-20 .. +55 °C
Operation humidity		5 .. 95% RH
Storage humidity		5 .. 95% RH
Degree of protection		IP20, clean environment
Installation		Independent device to be installed in back boxes.
Weight		73 g
Housing material		PC FR V0 halogen free and PC+ABS FR V0 halogen free

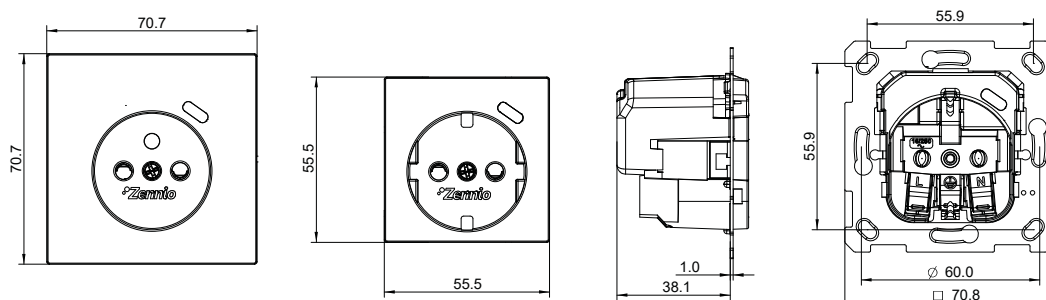
INSTALLATION INSTRUCTIONS

1. Connect the cables to the terminals and fix the metal plate into a square or round flush back box, either by using the fixing clamps (optional) or by using the screws from the back box. Check that the plate is correctly leveled.
2. Fix the frame and cover to the insert by using the screw.
3. Check that the socket outlet is duly fixed.

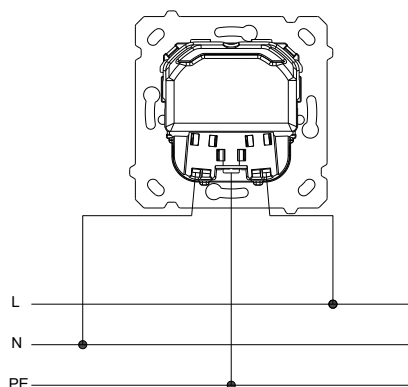
To remove it, proceed the reverse way.



DIMENSIONS (mm)



WIRING DIAGRAM



SAFETY INSTRUCTIONS AND ADDITIONAL NOTES

- Installation should only be performed by qualified professionals according to the laws and regulations applicable in each country.
- The facility must be equipped with a device that ensures the omnipolar sectioning. Installation of a 16 A mini-circuit-breaker is recommended. To prevent accidents, it must remain open in case of manipulation of the device.
- Keep the device away from water (condensation over the device included) and do not cover it with clothes, paper or any other material while in use.
- The WEEE logo means that this device contains electronic parts and it must be properly disposed of by following the instructions at <http://zennio.com/wEEE-regulation>.